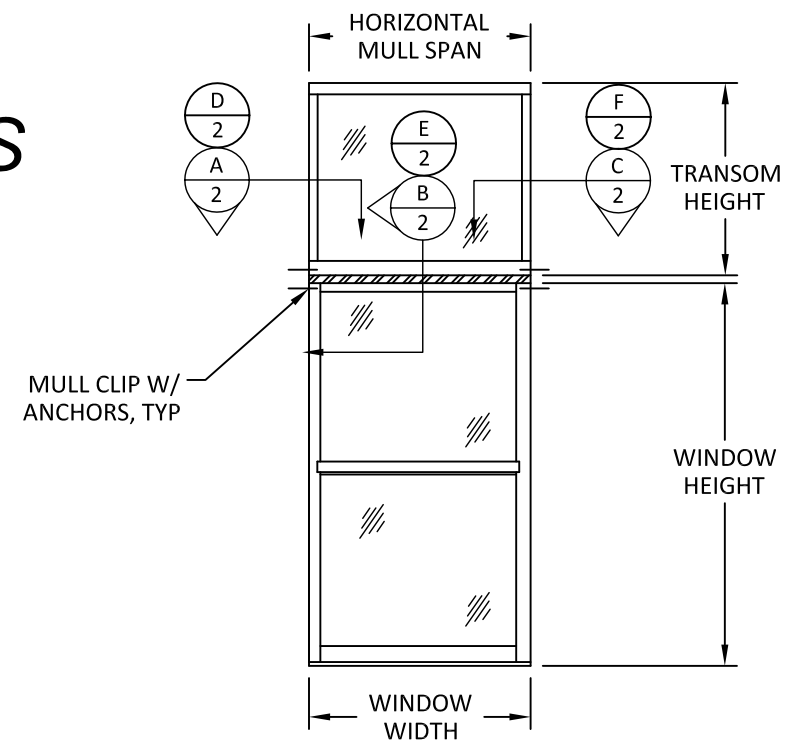


CROFT, LLC

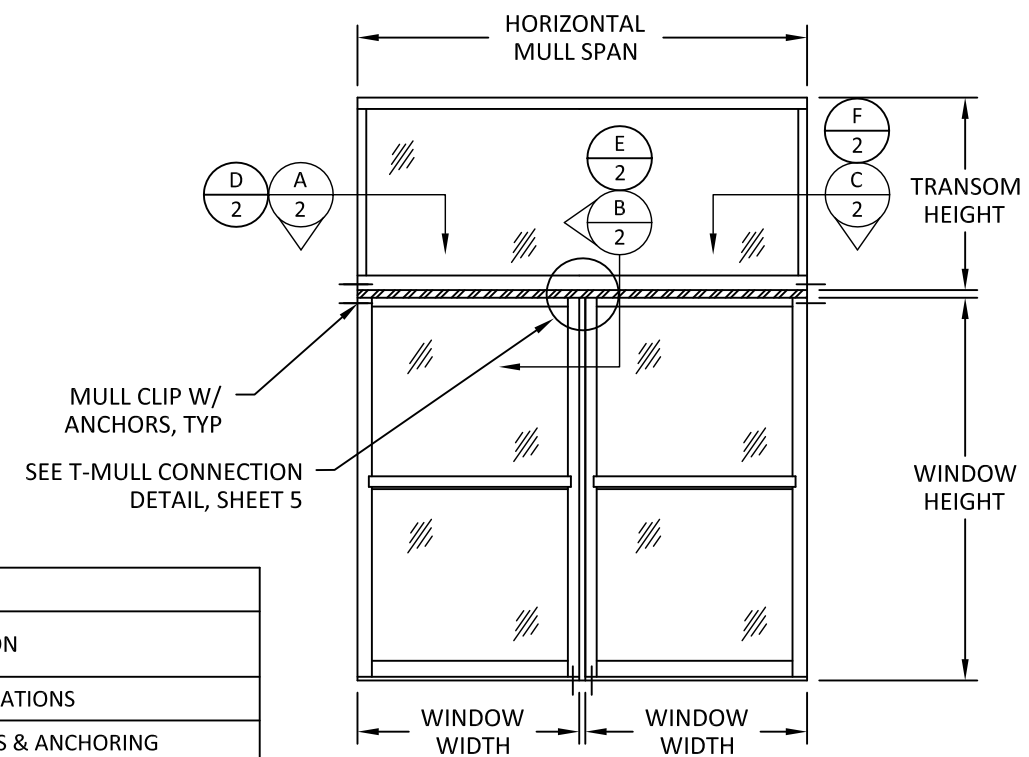
SERIES 9100 WOODBUCK MULLION AND SERIES 9100 LIGHT-DUTY MULLION (HORIZONTAL) (WZ3)(IMPACT)

NOTES:

1. THE PRODUCT SHOWN HEREIN IS DESIGNED AND MANUFACTURED TO COMPLY WITH THE CURRENT FLORIDA BUILDING CODE, SECTION 1709.8.
2. MULLION INSTALLATION DETAILS APPLY TO EXTRUDED MULLIONS WITH EXTRUDED ALUMINUM ANCHOR CLIP WHEN USED TO MULL WINDOWS SIDE BY SIDE
3. APPROVED IMPACT PROTECTIVE SYSTEM IS NOT REQUIRED ON THESE PRODUCTS IN WIND BORNE DEBRIS REGIONS ZONE 3 OR LESS SUCH THAT ADJOINING WINDOWS ARE IMPACT RATED.
4. APPROVED IMPACT PROTECTIVE SYSTEM IS REQUIRED ON THESE PRODUCTS IN WIND BORNE DEBRIS REGION ZONE 4.
5. USE TWO (2) #10 WOOD SCREWS, PER CLIP, OF SUFFICIENT LENGTH TO ACHIEVE MINIMUM EMBEDMENT OF 1 1/2" INTO WOOD FRAMING. (SEE INSTALLATION DETAILS ON SHEET 2).
6. USE TWO (2) 3/16" ITW TAPCONS, PER CLIP, OF SUFFICIENT LENGTH TO ACHIEVE MINIMUM EMBEDMENT OF 1-3/4" INTO CONCRETE OR 1" WHEN INTO HOLLOW BLOCK CMU. (SEE INSTALLATION DETAILS ON SHEET 2).
7. USE ONE (1) 1/4" ITW TAPCON, PER CLIP, OF SUFFICIENT LENGTH TO ACHIEVE MINIMUM EMBEDMENT OF 1-3/4" WHEN ANCHORED INTO CONCRETE.
8. USE TWO (2) #10-16 SELF-DRILLING SCREWS, PER CLIP, OF SUFFICIENT LENGTH TO ACHIEVE A MINIMUM 3 THREADS PENETRATION BEYOND STEEL SUBSTRATE. (SEE INSTALLATION DETAILS ON SHEET 2).
9. 2X WOOD BUCKS AND STEEL STUDS TO BE DESIGNED AND ANCHORED TO PROPERLY TRANSFER ALL LOADS TO STRUCTURE AND IS THE RESPONSIBILITY OF THE ARCHITECT OR ENGINEER OF RECORD.
10. SEE CHARTS & NOTES ON SHEETS 3-5 FOR DESIGN PRESSURE RATINGS.
11. THIS MULLION IS ONLY VALID WHEN USED IN CONJUNCTION WITH ALL APPLICABLE CROFT, LLC PRODUCTS.
12. ALL WINDOWS USED WITH THIS MULLION SHALL BE QUALIFIED UNDER SEPARATE APPROVAL. THE LESSER DESIGN PRESSURE RATING OF THE WINDOW OR THE MULLION OF INSTALLATION SHALL GOVERN THE OVERALL DESIGN PRESSURE OF THE ASSEMBLY.
13. MULLION MATERIAL: 6063-T5 ALUMINUM.
14. CLIP MATERIAL: 6063-T5 ALUMINUM.
15. INSTALLATION ANCHOR CAPACITIES FOR PRODUCTS HEREIN ARE BASED ON SUBSTRATE MATERIALS WITH THE FOLLOWING PROPERTIES:
 - A. WOOD - MINIMUM SPECIFIC GRAVITY OF 0.55.
 - B. CONCRETE - MINIMUM COMPRESSIVE STRENGTH OF 3000 PSI.
 - C. CMU - SHALL CONFORM TO MINIMUM REQUIREMENTS OF ASTM C90
 - D. STEEL - MINIMUM YIELD STRENGTH OF 33 KSI. MINIMUM 18 GA. WALL THICKNESS.



HORIZONTAL MULLION FOR STACKED WINDOWS



HORIZONTAL MULLION FOR T-MULL CONFIGURATION

TABLE OF CONTENTS	
SHEET	SHEET DESCRIPTION
1	GENERAL NOTES & ELEVATIONS
2	MULLION INSTALLATION DETAILS & ANCHORING
3	SERIES 9100 WOODBUCK MULL DP CHART & DETAILS
4	SERIES 9100 MULLION-LIGHT DUTY DP CHART & DETAIL
5	SERIES 9100 MULL-LIGHT DUTY T-MULL DP CHART & DETAILS



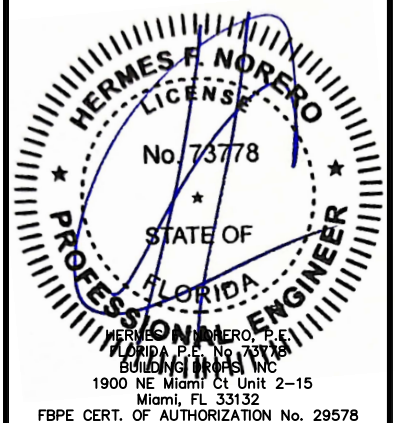
P.O. BOX 826
MCCOMB, MS 39649
PH.: 601-684-6121 FX: 601-783-3188

TITLE: SERIES 9100 HORIZONTAL MULLIONS (WZ3)(IMPACT)
GENERAL NOTES AND ELEVATIONS

PREPARED BY: BUILDING DROPS, INC.
1900 NE MIAMI CT UNIT 2-15
MIAMI, FL 33132
PH: (954)399-8478
FAX: (954)744-4738
WEB: www.buildingdrops.com

REMARKS	BY	DATE
FBC 2014 UPDATE	SM	9/14
FBC 2017 UPDATE	HR	6/17
FBC 2020 UPDATE	LL	6/21
FBC 2023 UPDATE	FB	12/23

THE INSTALLATION DETAILS DESCRIBED HEREIN ARE GENERIC AND MAY NOT REFLECT ACTUAL CONDITIONS FOR A SPECIFIC SITE. IF SITE CONDITIONS CAUSE INSTALLATION TO DEVIATE FROM THE REQUIREMENTS DETAILED HEREIN, A LICENSED ENGINEER OR ARCHITECT SHALL PREPARE SITE SPECIFIC DOCUMENTS FOR USE WITH THIS DOCUMENT.



FL #: **FL15527**

DATE: **04.18.12**

DWG. BY: **MSS** CHK. BY: **HFN**

SCALE: **NTS**

DWG. #: **CRF012**

SHEET **1**



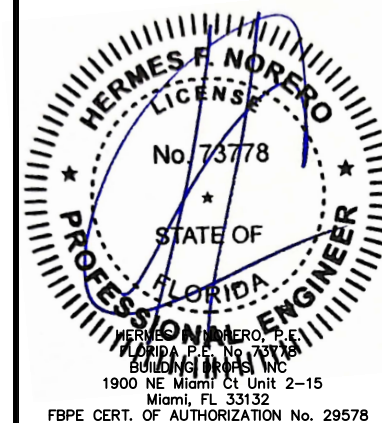
P.O. BOX 826
MCCOMB, MS 39649
PH.: 601-684-6121 FX: 601-783-3188

TITLE: **SERIES 9100 HORIZONTAL MULLIONS (WZ3)/(IMPACT)**
MULLION INSTALLATION DETAILS & ANCHORING

PREPARED BY: **BUILDING DROPS, INC.**
1900 NE MIAMI CT UNIT 2-15
MIAMI, FL 33132
PH: (954)399-8478
FAX: (954)744-4738
WEB: www.buildingdrops.com

REMARKS	BY	DATE
FBC 2014 UPDATE	SM	9/14
FBC 2017 UPDATE	HR	6/17
FBC 2020 UPDATE	LL	6/21
FBC 2023 UPDATE	FB	12/23

THE INSTALLATION DETAILS DESCRIBED HEREIN ARE GENERIC AND MAY NOT REFLECT ACTUAL CONDITIONS FOR A SPECIFIC SITE. IF SITE CONDITIONS CAUSE INSTALLATION TO DEVIATE FROM THE REQUIREMENTS DETAILED HEREIN, A LICENSED ENGINEER OR ARCHITECT SHALL PREPARE SITE SPECIFIC DOCUMENTS FOR USE WITH THIS DOCUMENT.



FL #: **FL15527**

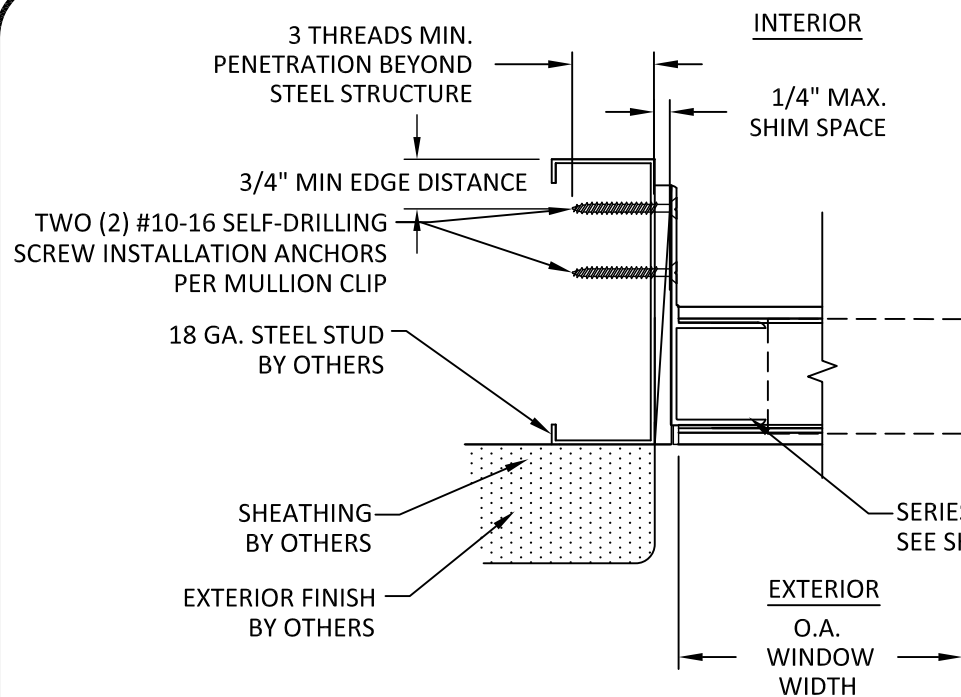
DATE: **04.18.12**

DWG. BY: **MSS** | CHK. BY: **HFN**

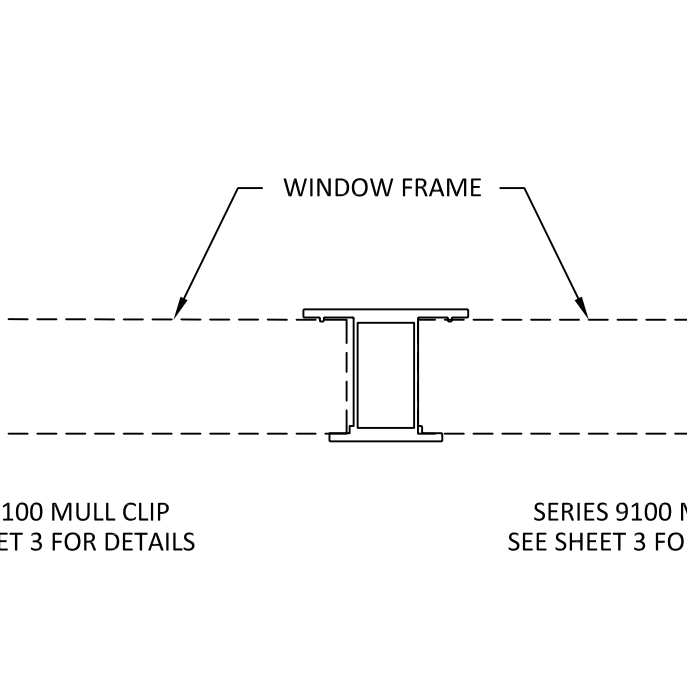
SCALE: **NTS**

DWG. #: **CRF012**

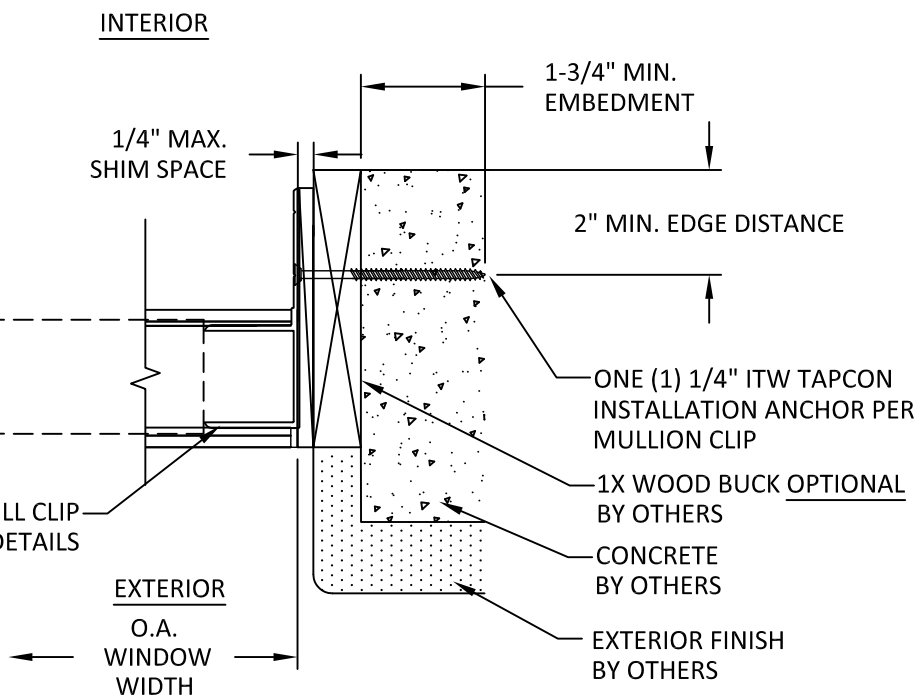
SHEET



A
2 **HORIZONTAL SECTION**
JAMB - STEEL STUD TYP.
SERIES 9100 WOODBUCK MULL

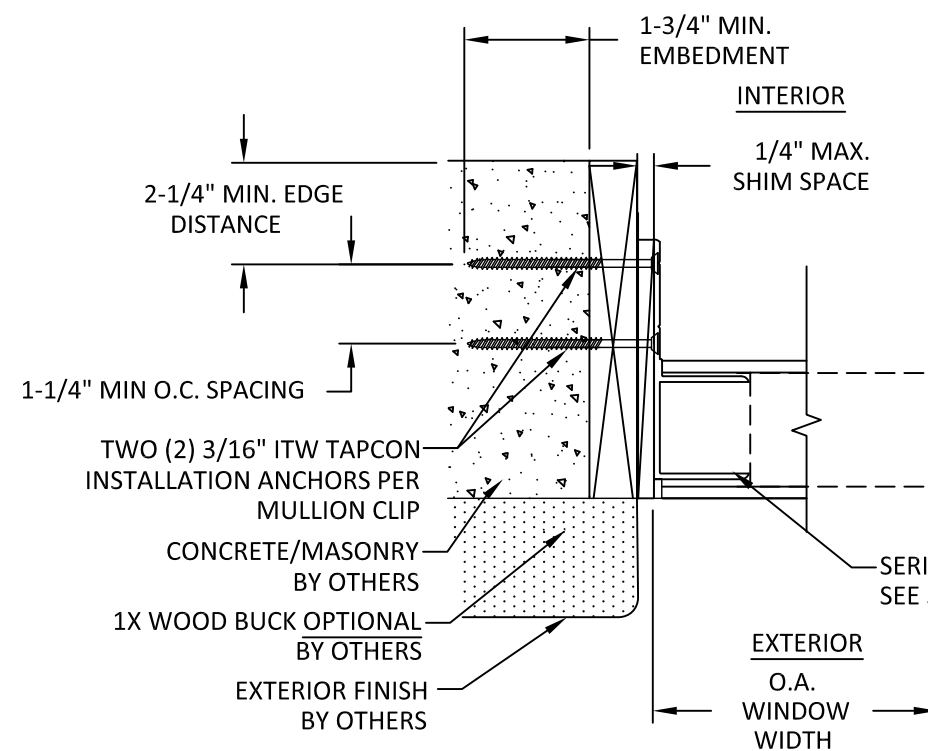


B
2 **VERTICAL SECTION**
SERIES 9100 WOODBUCK MULL

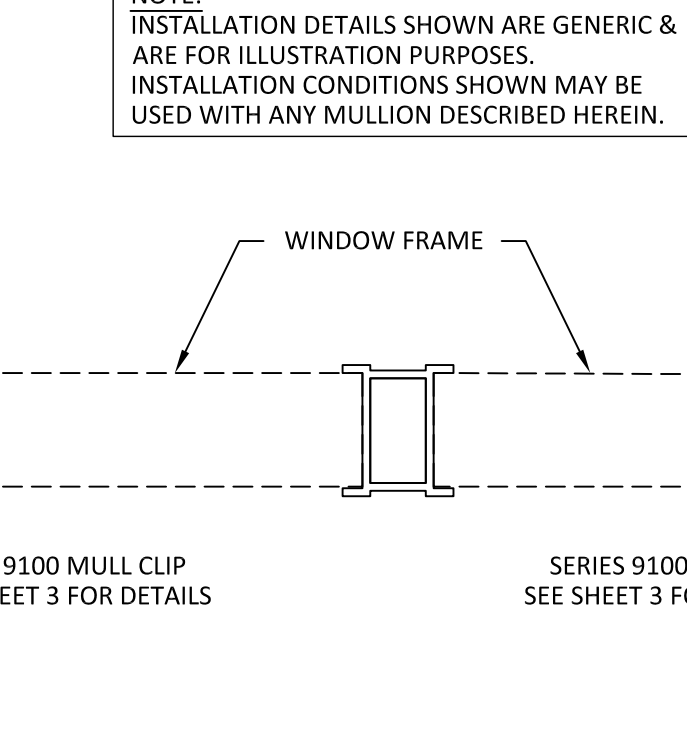


C
2 **HORIZONTAL SECTION**
JAMB - 1X/CONCRETE TYP.
SERIES 9100 WOODBUCK MULL

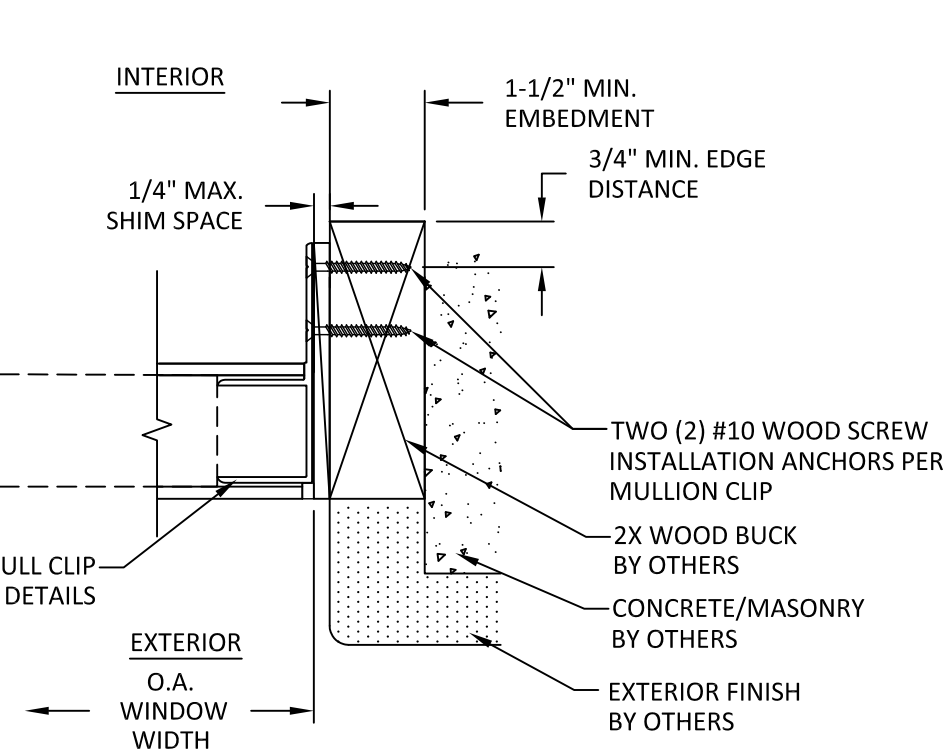
NOTE:
INSTALLATION DETAILS SHOWN ARE GENERIC & ARE FOR ILLUSTRATION PURPOSES. INSTALLATION CONDITIONS SHOWN MAY BE USED WITH ANY MULLION DESCRIBED HEREIN.



D
2 **HORIZONTAL SECTION**
JAMB - 1X/CONCRETE/MASONRY TYP.
SERIES 9100 MULL-LIGHT DUTY



E
2 **VERTICAL SECTION**
SERIES 9100 MULL-LIGHT DUTY



F
2 **HORIZONTAL SECTION**
JAMB - 2X WOOD BUCK TYP.
SERIES 9100 MULL-LIGHT DUTY

SERIES 9100 WOODBUCK MULL DESIGN PRESSURE CHART

Maximum design pressure capacity chart

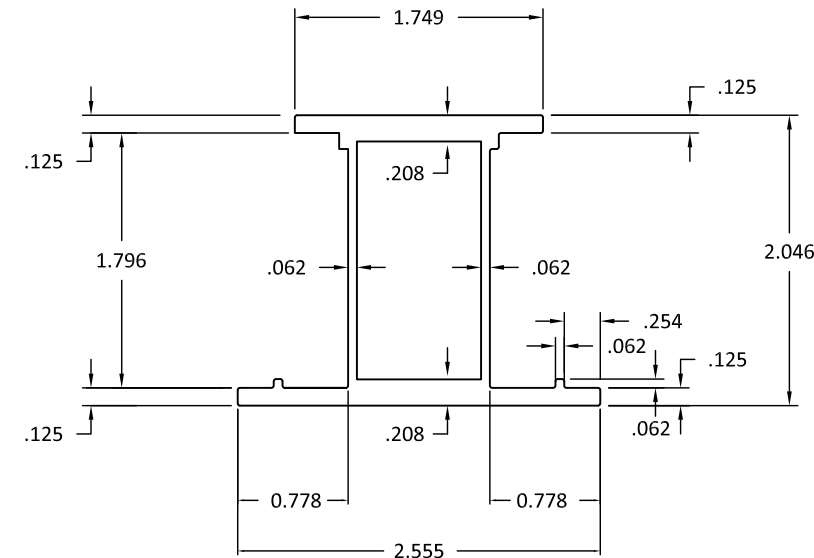
Series 9100 Woodbuck Horizontal Mullion - Stacked Windows

Design pressures are limited either by mullion or anchor screw or anchor clip capacity.

Height (in)		Unit width (in)								
Window	Transom	24.0	27.0	30.0	33.0	36.0	39.0	42.0	45.0	48.0
24.0	12.0	150.0	150.0	150.0	150.0	150.0	150.0	143.0	130.7	114.4
30.0	15.0	150.0	150.0	150.0	150.0	150.0	150.0	138.1	124.1	109.9
36.0	18.0	150.0	150.0	150.0	150.0	150.0	145.2	127.1	113.0	96.9
42.0	21.0	150.0	150.0	150.0	150.0	150.0	139.2	121.2	106.7	89.2
48.0	24.0	150.0	150.0	150.0	150.0	150.0	134.5	116.9	102.1	85.0
54.0	27.0	150.0	150.0	150.0	150.0	150.0	131.2	113.7	98.4	81.7
60.0	30.0	150.0	150.0	150.0	150.0	150.0	128.9	111.2	95.4	79.1
66.0	33.0	150.0	150.0	150.0	150.0	150.0	127.5	109.6	93.1	77.0
72.0	36.0	150.0	150.0	150.0	150.0	150.0	127.1	108.6	91.4	75.4
78.0	39.0	150.0	150.0	150.0	150.0	150.0	127.1	108.3	90.4	74.2
84.0	42.0	150.0	150.0	150.0	150.0	150.0	127.1	108.3	90.1	73.5
90.0	45.0	150.0	150.0	150.0	150.0	150.0	127.1	108.3	90.1	73.2
96.0	48.0	150.0	150.0	150.0	150.0	150.0	127.1	108.3	90.1	73.2

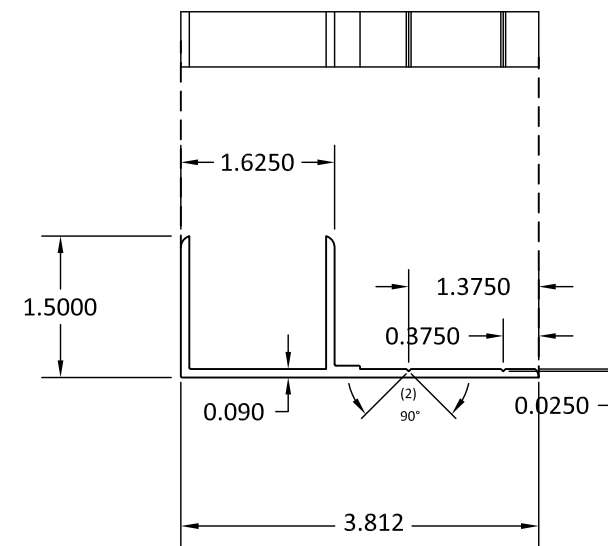
NOTES FOR SERIES 9100 WOODBUCK MULLION FOR STACK WINDOW AND MULLION CLIP INSTALLATIONS

- THE DESIGN PRESSURES IN THIS CHART ARE FOR THE MULLIONS LISTED ABOVE WHEN USED WITH THE CLIP LISTED ABOVE.
- FOR HORIZONTAL MULL CLIPS IN WOOD FRAMING INSTALLATION USE TWO (2) #10 WOOD SCREWS AT EACH MULLION CLIP. ANCHORS MUST BE OF SUFFICIENT LENGTH TO ACHIEVE A 1-1/2" MINIMUM EMBEDMENT INTO FRAMING. SEE SHEET 2 FOR DETAILS.
- FOR HORIZONTAL MULL CLIPS IN STEEL FRAME INSTALLATION, USE (2) TWO #10-16 SELF-DRILLING SCREWS AT EACH ANCHOR CLIP WITH SUFFICIENT LENGTH TO ACHIEVE A MINIMUM 3 THREAD PENETRATION BEYOND STEEL SUBSTRATE. SEE SHEET 2 FOR DETAILS.
- FOR HORIZONTAL MULL CLIPS IN CONCRETE OR CMU INSTALLATION USE TWO (2) 3/16" ITW TAPCONS AT EACH MULLION CLIP. ANCHORS MUST BE OF SUFFICIENT LENGTH TO ACHIEVE A 1" MINIMUM EMBEDMENT INTO CMU (HOLLOW BLOCK) OR 1-3/4" EMBEDMENT INTO CONCRETE. SEE SHEET 2 FOR DETAILS. FOR ALTERNATE INSTALLATION TO CONCRETE, SEE NOTE 5 BELOW.
- FOR HORIZONTAL MULL CLIPS IN CONCRETE INSTALLATION USE ONE (1) 1/4" ITW TAPCON AT EACH MULLION CLIP. ANCHORS MUST BE OF SUFFICIENT LENGTH TO ACHIEVE A 1-3/4" EMBEDMENT INTO CONCRETE. SEE SHEET 2 FOR DETAILS.
- CHART APPLIES ONLY TO SERIES 9100 WOODBUCK MULLION AS SPECIFIED ABOVE WHEN USED TO MULL WINDOWS STACKED ONE ABOVE THE OTHER.
- READ WINDOW HEIGHT AND MULL SPAN IN INCHES. DESIGN PRESSURE VALUES ON THIS CHART ARE POSITIVE AND NEGATIVE POUNDS PER SQUARE FOOT (PSF).
- DESIGN PRESSURE VALUES APPLY TO MULLION WHERE TWO OR MORE WINDOWS ARE LISTED IN A SINGLE OPENING. LESSER DESIGN PRESSURE OF INDIVIDUAL WINDOW OR MULLION OF INSTALLATION SHALL GOVERN.
- REFER TO EVALUATION REPORT# 9033 FOR MORE MULLION SPECIFICATIONS.



SERIES 9100 WOODBUCK MULL DETAIL

TOP VIEW



SERIES 9100 MULLION CLIP DETAIL
FOR USE WITH ALL SERIES 9100 MULLIONS



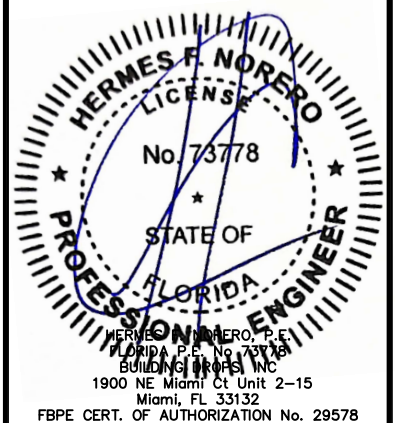
P.O. BOX 826
MCCOMB, MS 39649
PH.: 601-684-6121 FX: 601-783-3188

TITLE: SERIES 9100 HORIZONTAL MULLIONS (WZ3)/(IMPACT)
SERIES 9100 WOODBUCK MULL DP CHART & DETAILS

PREPARED BY: BUILDING DROPS, INC.
1900 NE MIAMI CT UNIT 2-15
MIAMI, FL 33132
PH: (954)399-8478
FAX: (954)744-4738
WEB: www.buildingdrops.com

REMARKS	BY	DATE
FBC 2014 UPDATE	SM	9/14
FBC 2017 UPDATE	HR	6/17
FBC 2020 UPDATE	LL	6/21
FBC 2023 UPDATE	FB	12/23

THE INSTALLATION DETAILS DESCRIBED HEREIN ARE GENERIC AND MAY NOT REFLECT ACTUAL CONDITIONS FOR A SPECIFIC SITE. IF SITE CONDITIONS CAUSE INSTALLATION TO DEVIATE FROM THE REQUIREMENTS DETAILED HEREIN, A LICENSED ENGINEER OR ARCHITECT SHALL PREPARE SITE SPECIFIC DOCUMENTS FOR USE WITH THIS DOCUMENT.



FL #: **FL15527**

DATE: **04.18.12**

DWG. BY: **MSS** | CHK. BY: **HFN**

SCALE: **NTS**

DWG. #: **CRF012**

SHEET **3**

SERIES 9100 MULLION-LIGHT DUTY DESIGN PRESSURE CHARTS

Maximum design pressure capacity chart

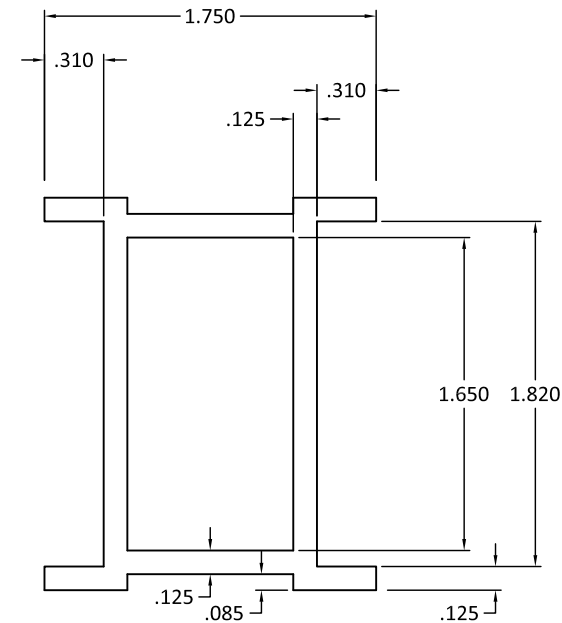
Series 9100 Horizontal Mullion - Light Duty - Stacked Windows

Design pressures are limited either by mullion or anchor screw or anchor clip capacity.

Height (in)		Unit width (in)									
Window	Transom	24.0	27.0	30.0	33.0	36.0	39.0	42.0	45.0	48.0	
24.0	12.0	150.0	150.0	150.0	150.0	150.0	146.6	124.6	107.3	93.5	
30.0	15.0	150.0	150.0	150.0	150.0	150.0	124.6	105.0	89.7	77.7	
36.0	18.0	150.0	150.0	150.0	150.0	138.5	112.5	93.5	79.1	68.0	
42.0	21.0	150.0	150.0	150.0	150.0	131.6	106.3	87.2	72.8	61.9	
48.0	24.0	150.0	150.0	150.0	150.0	126.2	101.7	83.4	69.4	58.4	
54.0	27.0	150.0	150.0	150.0	150.0	122.1	98.2	80.4	66.8	56.2	
60.0	30.0	150.0	150.0	150.0	150.0	119.2	95.4	77.9	64.6	54.3	
66.0	33.0	150.0	150.0	150.0	150.0	117.4	93.5	76.0	62.9	52.8	
72.0	36.0	150.0	150.0	150.0	150.0	116.8	92.3	74.7	61.5	51.5	
78.0	39.0	150.0	150.0	150.0	150.0	116.8	91.9	73.9	60.6	50.5	
84.0	42.0	150.0	150.0	150.0	150.0	116.8	91.9	73.6	60.0	49.9	
90.0	45.0	150.0	150.0	150.0	150.0	116.8	91.9	73.6	59.8	49.4	
96.0	48.0	150.0	150.0	150.0	150.0	116.8	91.9	73.6	59.8	49.3	

NOTES FOR SERIES 9100 MULLION-LIGHT DUTY FOR STACK WINDOW AND MULLION CLIP INSTALLATIONS

- THE DESIGN PRESSURES IN THIS CHART ARE FOR THE MULLIONS LISTED ABOVE WHEN USED WITH THE CLIP LISTED ABOVE.
- FOR HORIZONTAL MULL CLIPS IN WOOD FRAMING INSTALLATION USE TWO (2) #10 WOOD SCREWS AT EACH MULLION CLIP. ANCHORS MUST BE OF SUFFICIENT LENGTH TO ACHIEVE A 1-1/2" MINIMUM EMBEDMENT INTO FRAMING. SEE SHEET 2 FOR DETAILS.
- FOR HORIZONTAL MULL CLIPS IN STEEL FRAME INSTALLATION, USE (2) TWO #10-16 SELF-DRILLING SCREWS AT EACH ANCHOR CLIP WITH SUFFICIENT LENGTH TO ACHIEVE A MINIMUM 3 THREAD PENETRATION BEYOND STEEL SUBSTRATE. SEE SHEET 2 FOR DETAILS.
- FOR HORIZONTAL MULL CLIPS IN CONCRETE OR CMU INSTALLATION USE TWO (2) 3/16" ITW TAPCONS AT EACH MULLION CLIP. ANCHORS MUST BE OF SUFFICIENT LENGTH TO ACHIEVE A 1" MINIMUM EMBEDMENT INTO CMU (HOLLOW BLOCK) OR 1-3/4" EMBEDMENT INTO CONCRETE. SEE SHEET 2 FOR DETAILS. FOR ALTERNATE INSTALLATION TO CONCRETE, SEE NOTE 5 BELOW.
- FOR HORIZONTAL MULL CLIPS IN CONCRETE INSTALLATION USE ONE (1) 1/4" ITW TAPCON AT EACH MULLION CLIP. ANCHORS MUST BE OF SUFFICIENT LENGTH TO ACHIEVE A 1-3/4" EMBEDMENT INTO CONCRETE. SEE SHEET 2 FOR DETAILS.
- CHART APPLIES ONLY TO SERIES 9100 LIGHT DUTY MULLION AS SPECIFIED ABOVE WHEN USED TO MULL WINDOWS STACKED ONE ABOVE THE OTHER.
- READ WINDOW HEIGHT AND MULL SPAN IN INCHES. DESIGN PRESSURE VALUES ON THIS CHART ARE POSITIVE AND NEGATIVE POUNDS PER SQUARE FOOT (PSF).
- DESIGN PRESSURE VALUES APPLY TO MULLION WHERE TWO OR MORE WINDOWS ARE LISTED IN A SINGLE OPENING. LESSER DESIGN PRESSURE OF INDIVIDUAL WINDOW OR MULLION OF INSTALLATION SHALL GOVERN.
- REFER TO EVALUATION REPORT# 9033 FOR MORE MULLION SPECIFICATIONS.



SERIES 9100 MULLION-LIGHT DUTY DETAIL



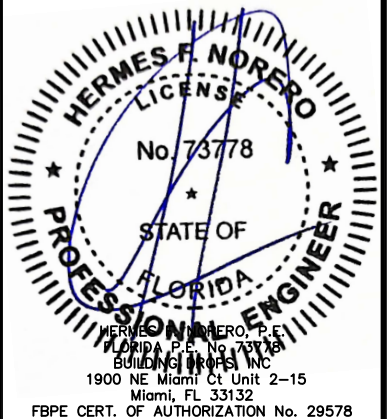
P.O. BOX 826
MCCOMB, MS 39649
PH.: 601-684-6121 FX: 601-783-3188

TITLE: SERIES 9100 HORIZONTAL MULLIONS (WZ3)/(IMPACT) SERIES 9100 MULLION-LIGHT DUTY DP CHART & DETAIL

PREPARED BY: BUILDING DROPS, INC.
1900 NE MIAMI CT UNIT 2-15
MIAMI, FL 33132
PH: (954)399-8478
FAX: (954)744-4738
WEB: www.buildingdrops.com

REMARKS	BY	DATE
FBC 2014 UPDATE	SM	9/14
FBC 2017 UPDATE	HR	6/17
FBC 2020 UPDATE	LL	6/21
FBC 2023 UPDATE	FB	12/23

THE INSTALLATION DETAILS DESCRIBED HEREIN ARE GENERIC AND MAY NOT REFLECT ACTUAL CONDITIONS FOR A SPECIFIC SITE. IF SITE CONDITIONS CAUSE INSTALLATION TO DEVIATE FROM THE REQUIREMENTS DETAILED HEREIN, A LICENSED ENGINEER OR ARCHITECT SHALL PREPARE SITE SPECIFIC DOCUMENTS FOR USE WITH THIS DOCUMENT.



FL #:	FL15527
DATE:	04.18.12
DWG. BY:	MSS
CHK. BY:	HFN
SCALE:	NTS
DWG. #:	CRF012

SHEET
4



P.O. BOX 826
MCCOMB, MS 39649
PH.: 601-684-6121 FX: 601-783-3188

SERIES 9100 MULLION-LIGHT DUTY DESIGN PRESSURE CHARTS

Maximum design pressure capacity chart (psf)

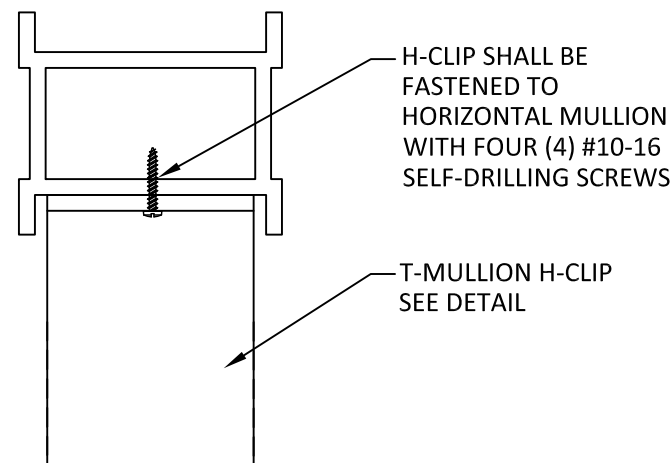
Series 9100 Horizontal Mullion - Light Duty - T-Mullion Configuration

Design pressures are limited either by mullion or anchor screw or anchor clip capacity.

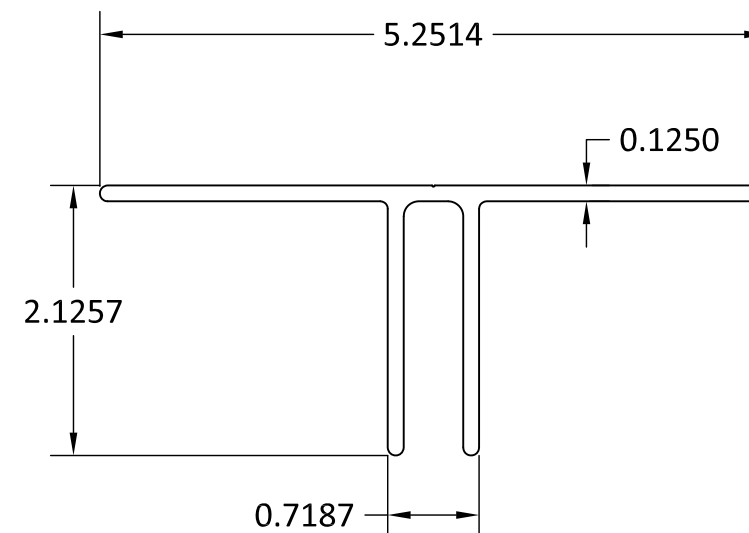
Height (in)		Unit width (in)																
Window	Transom	24.0	27.0	30.0	33.0	36.0	39.0	42.0	45.0	48.0	54.0	60.0	66.0	72.0	78.0	84.0	90.0	96.0
24.0	12.0	150.0	150.0	150.0	150.0	150.0	150.0	142.4	130.6	120.4	104.0	91.5	80.2	67.2	57.1	49.2	42.8	37.5
30.0	15.0	150.0	150.0	150.0	150.0	145.8	132.0	120.4	110.5	101.9	88.0	77.0	64.7	54.2	46.0	39.6	34.4	30.2
36.0	18.0	150.0	150.0	150.0	141.7	127.1	115.0	104.9	96.2	88.8	76.7	66.0	54.3	45.5	38.6	33.2	28.8	25.3
42.0	21.0	150.0	150.0	143.0	126.5	113.3	102.4	93.4	85.7	79.0	68.3	57.1	46.9	39.2	33.3	28.6	24.9	21.8
48.0	24.0	150.0	149.8	130.2	115.0	102.8	92.8	84.5	77.5	71.5	61.7	50.4	41.4	34.6	29.3	25.2	21.9	19.2
54.0	27.0	150.0	139.0	120.4	106.0	94.6	85.3	77.5	71.0	65.5	56.3	45.2	37.1	31.0	26.3	22.5	19.6	17.1
60.0	30.0	150.0	130.6	112.6	98.8	88.0	79.2	71.9	65.8	60.6	51.2	41.1	33.7	28.1	23.8	20.4	17.7	15.5
66.0	33.0	148.2	124.0	106.4	93.1	82.6	74.2	67.3	61.5	56.6	47.0	37.7	30.9	25.7	21.8	18.7	16.2	14.2
72.0	36.0	143.0	118.7	101.4	88.3	78.2	70.1	63.4	57.9	53.2	43.6	34.9	28.5	23.8	20.1	17.2	14.9	13.1
78.0	39.0	139.2	114.6	97.3	84.5	74.5	66.6	60.2	54.8	50.3	40.6	32.5	26.5	22.1	18.7	16.0	13.9	12.1
84.0	42.0	136.6	111.5	94.1	81.3	71.5	63.7	57.5	52.3	47.9	38.1	30.4	24.9	20.7	17.5	15.0	13.0	11.3
90.0	45.0	135.0	109.2	91.5	78.7	68.9	61.3	55.1	50.0	45.8	36.0	28.7	23.4	19.5	16.4	14.1	12.2	10.6
96.0	48.0	134.5	107.6	89.5	76.5	66.8	59.2	53.1	48.1	44.0	34.1	27.1	22.1	18.4	15.5	13.3	11.5	10.0

NOTES FOR SERIES 9100 MULLION-LIGHT DUTY FOR T-MULLION CONFIGURATIONS AND MULLION CLIP INSTALLATIONS

- THE DESIGN PRESSURES IN THIS CHART ARE FOR THE MULLIONS LISTED ABOVE WHEN USED WITH THE CLIP LISTED ABOVE.
- FOR HORIZONTAL MULL CLIPS IN WOOD FRAMING INSTALLATION USE TWO (2) #10 WOOD SCREWS AT EACH MULLION CLIP. ANCHORS MUST BE OF SUFFICIENT LENGTH TO ACHIEVE A 1-1/2" MINIMUM EMBEDMENT INTO FRAMING. SEE SHEET 2 FOR DETAILS.
- FOR HORIZONTAL MULL CLIPS IN STEEL FRAME INSTALLATION, USE (2) TWO #10-16 SELF-DRILLING SCREWS AT EACH ANCHOR CLIP WITH SUFFICIENT LENGTH TO ACHIEVE A MINIMUM 3 THREAD PENETRATION BEYOND STEEL SUBSTRATE. SEE SHEET 2 FOR DETAILS.
- FOR HORIZONTAL MULL CLIPS IN CONCRETE OR CMU INSTALLATION USE TWO (2) 3/16" ITW TAPCONS AT EACH MULLION CLIP. ANCHORS MUST BE OF SUFFICIENT LENGTH TO ACHIEVE A 1" MINIMUM EMBEDMENT INTO CMU (HOLLOW BLOCK) OR 1-3/4" EMBEDMENT INTO CONCRETE. SEE SHEET 2 FOR DETAILS. FOR ALTERNATE INSTALLATION TO CONCRETE, SEE NOTE 5 BELOW.
- FOR HORIZONTAL MULL CLIPS IN CONCRETE INSTALLATION USE ONE (1) 1/4" ITW TAPCON AT EACH MULLION CLIP. ANCHORS MUST BE OF SUFFICIENT LENGTH TO ACHIEVE A 1-3/4" EMBEDMENT INTO CONCRETE. SEE SHEET 2 FOR DETAILS.
- CHART APPLIES ONLY TO SERIES 9100 MULLION-LIGHT DUTY AS SPECIFIED ABOVE WHEN USED TO MULL TRANSOM WINDOWS STACKED ABOVE TWIN WINDOWS IN T-MULLION CONFIGURATION.
- READ WINDOW HEIGHT AND MULL SPAN IN INCHES. DESIGN PRESSURE VALUES ON THIS CHART ARE POSITIVE AND NEGATIVE POUNDS PER SQUARE FOOT (PSF).
- DESIGN PRESSURE VALUES APPLY TO MULLION WHERE TWO OR MORE WINDOWS ARE LISTED IN A SINGLE OPENING. LESSER DESIGN PRESSURE OF INDIVIDUAL WINDOW OR MULLION OF INSTALLATION SHALL GOVERN.
- REFER TO EVALUATION REPORT# 9033 FOR MORE MULLION SPECIFICATIONS.



T-MULL CONNECTION



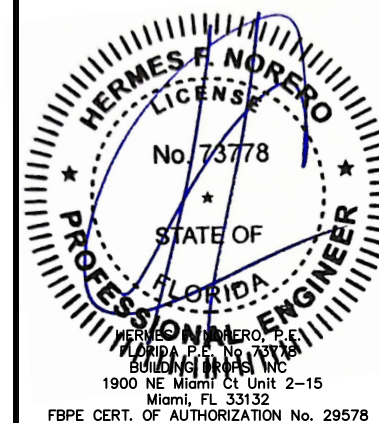
T-MULLION H-CLIP DETAIL

TITLE: SERIES 9100 HORIZONTAL MULLIONS (WZ3)/(IMPACT) SERIES 9100 MULL-LIGHT DUTY DP CHART & DETAILS

PREPARED BY: BUILDING DROPS, INC. 1900 NE MIAMI CT UNIT 2-15 MIAMI, FL 33132 PH: (954)399-8478 FAX: (954)744-4738 WEB: www.buildingdrops.com

REMARKS	BY	DATE
FBC 2014 UPDATE	SM	9/14
FBC 2017 UPDATE	HR	6/17
FBC 2020 UPDATE	LL	6/21
FBC 2023 UPDATE	FB	12/23

THE INSTALLATION DETAILS DESCRIBED HEREIN ARE GENERIC AND MAY NOT REFLECT ACTUAL CONDITIONS FOR A SPECIFIC SITE. IF SITE CONDITIONS CAUSE INSTALLATION TO DEVIATE FROM THE REQUIREMENTS DETAILED HEREIN, A LICENSED ENGINEER OR ARCHITECT SHALL PREPARE SITE SPECIFIC DOCUMENTS FOR USE WITH THIS DOCUMENT.



FL #: FL15527

DATE: 04.18.12

DWG. BY: MSS
CHK. BY: HFN

SCALE: NTS

DWG. #: CRF012

SHEET

5

OF 5